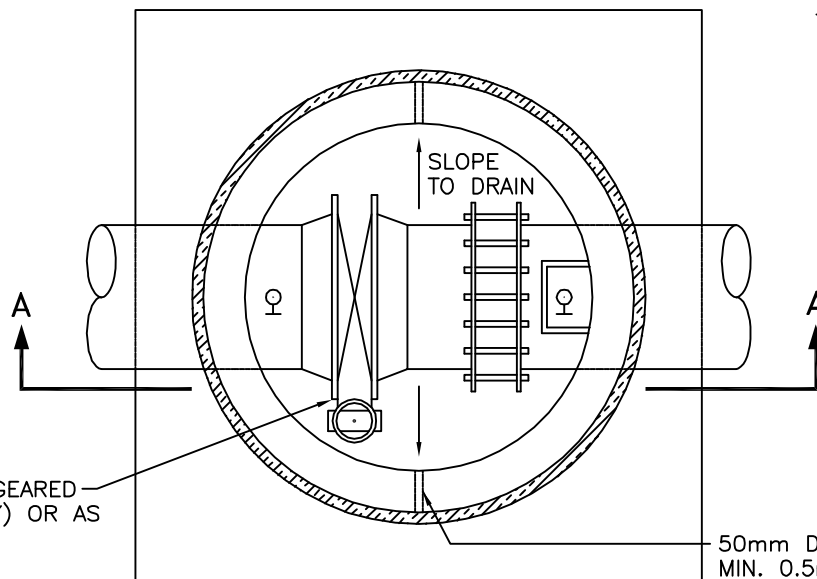




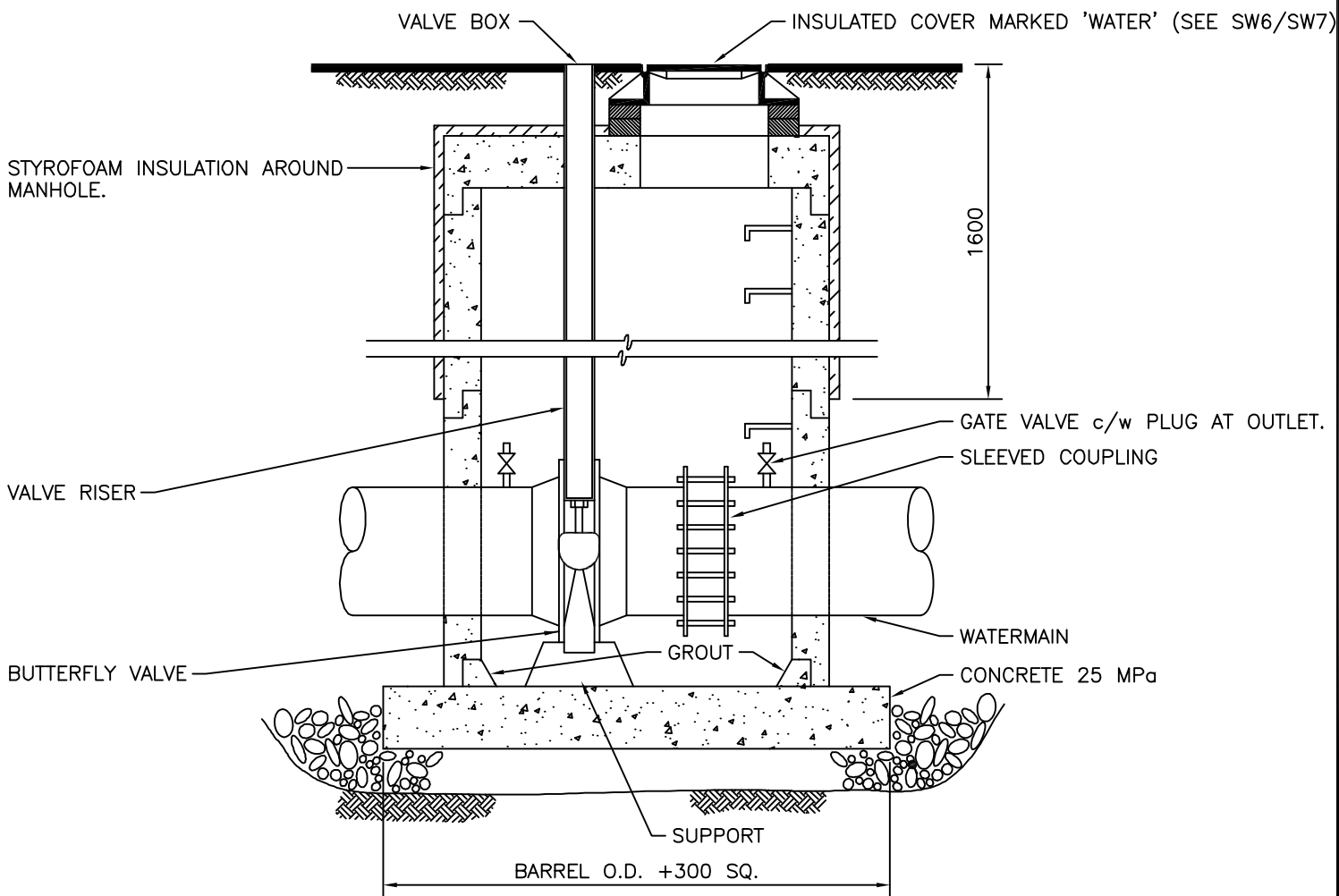
# ARTERIALS



BUTTERFLY VALVE c/w GEARED OPERATOR. (HEAVY DUTY) OR AS APPROVED.

50mm DRAIN HOLE.  
MIN. 0.5m<sup>3</sup> DRAIN ROCK AT EACH DRAIN

**PLAN**



**SECTION A-A**

**NOTE:**

REFER TO CONTRACT DRAWINGS AND SECTIONS 33 11 01, 03 20 01, AND 03 30 53 FOR DETAILED SPECIFICATIONS

## BUTTERFLY VALVE CHAMBER

CITY OF KAMLOOPS

2	DEC 10	PLATINUM UPDATE	DAR	GC
1	04/08	MH COVER	JD	DM
NO.	DATE	REVISION	DESCRIPTION	BY APP

DWN. BY: B.LEUNG

CHK'D BY: D.SAYERS

SCALE: N.T.S.

DATE: 97/07/11

DWG. NO.: **SW11**

REV.: 2